

IC PSA 165

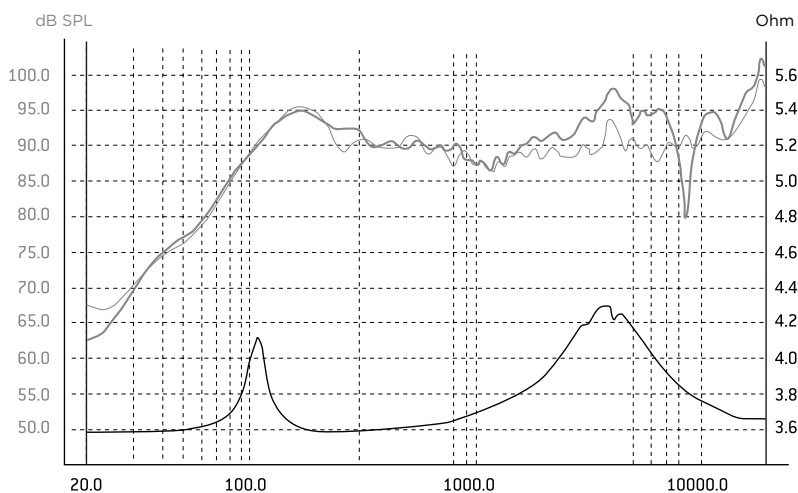
Technical Sheet

Woofer

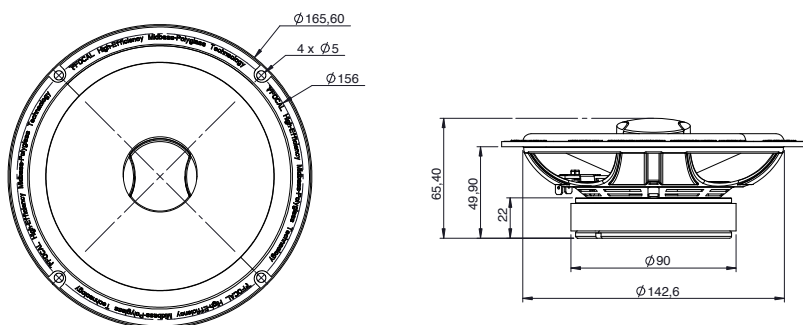


- Polyglass cone
- Reduced height
- Rotary inverted dome tweeter

FREQUENCY RESPONSE/IMPEDANCE



MECHANICAL DRAWING



SPECIFICATIONS

Nominal power	70W
Maximum power	140W
Sensitivity	93.2dB
Cone	Polyglass
Surround	Butyl
Nom. impedance	4 Ohms
DC resistance	3.0 Ohms
VC diameter	25.5mm 1"
VC height	7mm 0 1/4 "
Former	Kapton
Layers	2
Wire	Copper
Inductance	0.16mH
Xmax	2mm 0 1/16 «
Magnet d x h	90 x 15mm 3 9/16 x 0 9/16 "
Magnet weight	250g 0.55 lb
Flux density	-
Gap height	3mm 0 1/8 "
Net weight	900g 1.98lb

PARAMETERS

Fs	95.31Hz
Vas	6.89 l
Qts	0.98
Qes	1.18
Qms	5.98
Re	3.01 Ohms
Sd	136.85cm ²
Cas	4.26 E-8m ⁵ /N
Mas	59.49kg/m ⁴
Ras	6047.9 Ohms.ac
Cms	247µm/N
Mms	11.31g
Rms	1.133kg/s
Ces	656.81mF
Les	4.35mH
Res	15.30 Ohms
BI	4.16N/A
SPL	88.90dB (Re)