

IC REN 130

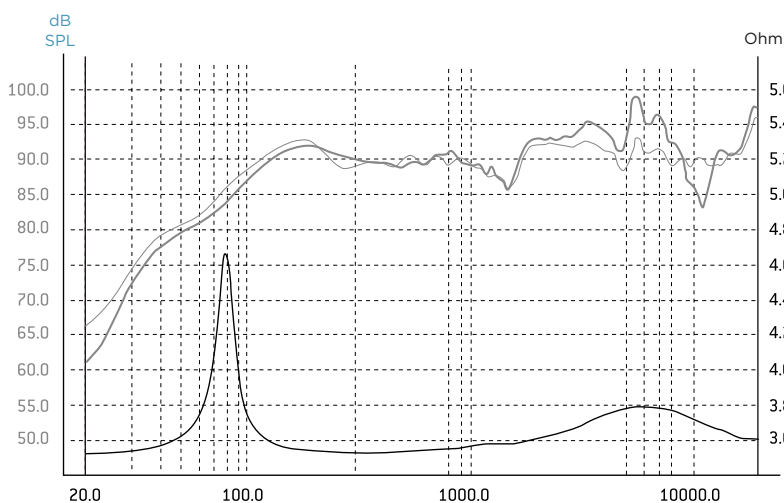
Technical Sheet

Woofer

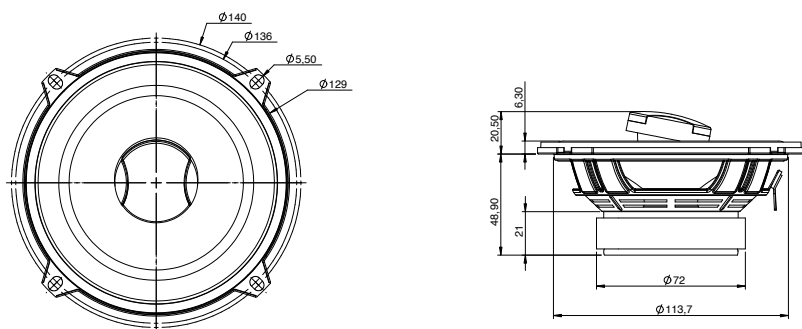


- Polyglass cone
- Reduced height
- Rotary inverted dome tweeter

FREQUENCY RESPONSE/IMPEDANCE



MECHANICAL DRAWING



SPECIFICATIONS

Nominal power	60W
Maximum power	120W
Sensitivity	91.8dB
Cone	Polyglass
Surround	Butyl
Nom. impedance	4 Ohms
DC resistance	2.8 Ohms
VC diameter	25.5mm 1"
VC height	8.4mm 0 ¹ / ₃ "
Former	Kapton
Layers	2
Wire	Copper
Inductance	0.21mH
Xmax	2.5mm 0 ¹ / ₈ "
Magnet d x h	72 x 15mm 2 ¹³ / ₁₆ x 0 ⁹ / ₁₆ "
Magnet weight	160g 0.35lb
Flux density	-
Gap height	3mm 0 ¹ / ₈ "
Net weight	550g 1.1lb

PARAMETERS

Fs	96.03Hz
Vas	3.82 l
Qts	0.779
Qes	0.88
Qms	6.76
Re	2.8 Ohms
Sd	84.95cm ²
Cas	2.72 E-8m ⁵ /N
Mas	101.02kg/m ⁴
Ras	9016.84 Ohms.ac
Cms	377µm/N
Mms	7.29g
Rms	0.651kg/s
Ces	520.88mF
Les	5.27mH
Res	21.51 Ohms
Bl	3.64N/A
SPL	87.69dB (Re)

FOCAL[®] INSIDE

Focal[®] is a trademark of Focal-JMLab[®] - www.focal.com - SCAA190319/1

 **FOCAL**[®]
LISTEN BEYOND